

## AXOR Starck

Single lever bath mixer for exposed installation with pin handle

Surfaces: **Chrome** Article Number: **10411000**



### Description

#### product features

- projection 200 mm
- connection type: s-shaped connections
- centre distance:  $150 \pm 16$  mm
- spray type mixer: normal spray
- flow rate at 3 bar: 22 l/min
- ceramic cartridge
- min. operating pressure: 1 bar
- max. operating pressure: 10 bar
- temperature limitation adjustable
- with automatic resetting
- non-return valve
- with silencer
- suitable for continuous flow water heaters
- connection dimension: DN15

### Technology



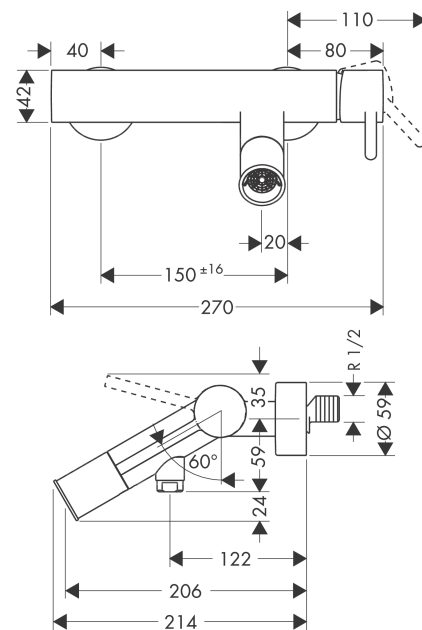
### Design awards



### Product image



### Scale drawing



**AXOR Starck**  
**Single lever bath mixer for exposed installation with pin handle**  
 Surfaces: **Chrome**    Article Number: **10411000**



### Flowchart

